

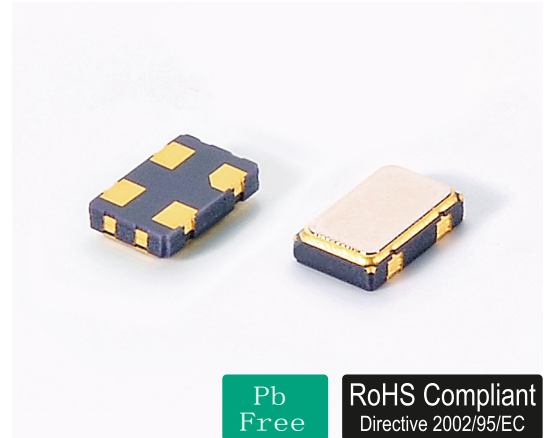
5x3.2 SMD VCXO

FEATURE

- Cost-effective design.
- Commercial and industrial operation.
- $\pm 25\text{PPM}$ to $\pm 50\text{PPM}$ stability (or as specified).
- $\pm 50\text{PPM}$ to 100PPM absolute (net) pull range.
- Available on tape & reel; 1000 pcs/reel.
- Pb-free and RoHS/Green compliant.

APPLICATIONS

- The VCXO is an ideal component in phase locked loop circuits that perform clock smoothing, clock/date recovery, or frequency translation and card synchronization functions.



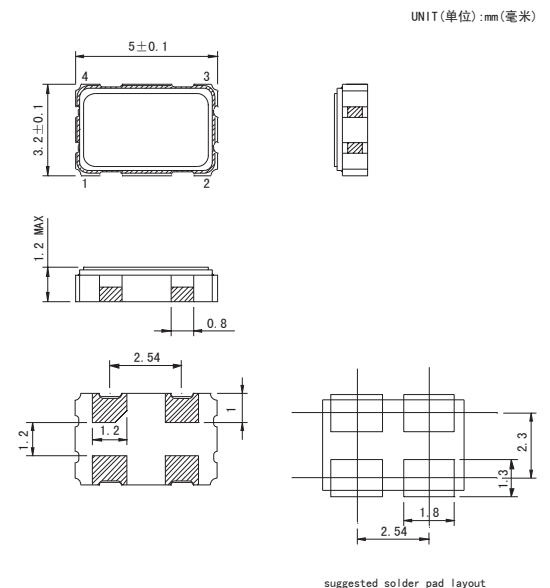
Pb Free

RoHS Compliant
Directive 2002/95/EC

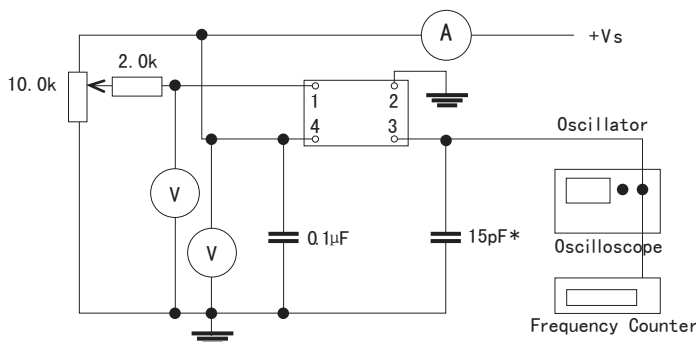
Electrical Specifications 电气参数

型号	Holder Type		5x3.2mm SMD VCXO	
频率范围	Frequency Range	F	1.750 to 50.000	Mhz
总频差	Frequency Stability	$\Delta F/F$	$\pm 25\text{ppm}$ to $\pm 50\text{ppm}$	
输入电压	Input Voltage	Vdd	5.0 or 3.3 $\pm 10\%$	V
控制电压	Control Voltage	Vc	1.65 ± 1.5 or 2.5 ± 2.25	V
输入电流	Input Current	Idd	35 Max	mA
工作温度范围	Operating Temperature		$-10^\circ\text{C} - +60^\circ\text{C}$ to $-40^\circ\text{C} - +85^\circ\text{C}$	$^\circ\text{C}$
贮存温度范围	Storage Temperature		$-40 - +85/-55 - +125$	$^\circ\text{C}$
上升/下降时间	Rise/Fall Time	Tr/Tf	6 Max	ns
占空比	Duty Cycle		40/60 Standard	
线性	Linearity		10% Max	
牵引量	Pullability		$\pm 50 \sim \pm 100$	ppm

Mechanical Dimensions 外型尺寸



Test Circuit (测试电路)



PIN	FUNCTION
1	N/C or Tri-state
2	Ground
3	Output
4	Vdd

JZX

The above specifications are standard for JZX product
 If you have special requirement please Contact JZX sales with your enquiries
 Tel: 0086-755-27690434 27795201
 Fax: 0086-755-61640804 27850641
 E-mail: jzx01@szjzhixing.com HTTP: www.szjzhixing.com