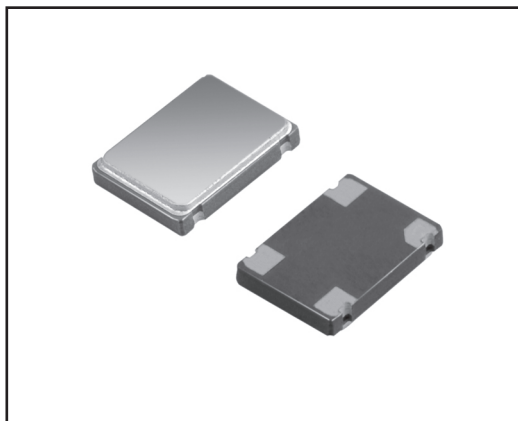


# 5x7 SMD OSCILLATOR(HCOMS/TTL)



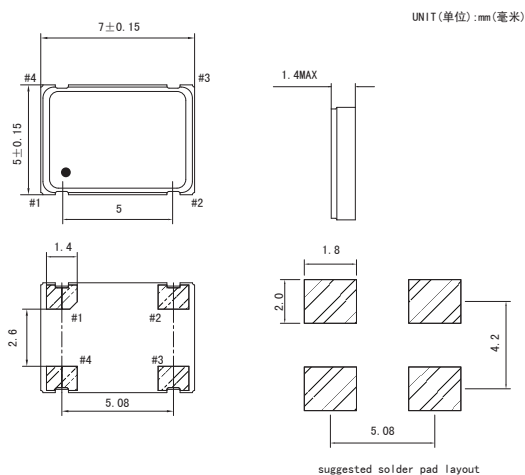
## Part Number Guide

T(Type型号):0=5X7X1.4mm Max ceramic osc  
 V(Input Voltage输入电压):1.8=1.8V 2.5=2.5V 2.85=2.85V 3=3.3V 5=5.0V, etc  
 S(Symmetry占空比):5=45/55max 6=40/60 max  
 F(Frequency标称频率)  
 FS(Frequency Stability频率稳定性):50=+/-50 ppm, etc  
 OT(Operating Temperature工作温度):0070= 0°C to +70°C 3080= -30°C to +80°C, etc  
 OP(Output输出)1=15PF HCMOS 2=10TTL 3=30PF 4=50PF (5.0V only) 5=10TTL/ 15PF  
 TR(Tape and Reel编带)  
 S(Special Requirement特殊要求)

## Electrical Specifications 电气参数

型号	Holder Type	5x7mm SMD OSCILLATOR
频率范围	Frequency Range	1.000 Mhz to 150.000 Mhz
总频差	Frequency Stability	±25ppm to ±50ppm
输入电压	Supply Voltage	5.0V or 3.3V ±10%
工作温度范围	Operating Temperature Range	-10°C - +60°C to -40°C - +85°C
储存温度范围	Storage Temperature Range	-40°C - +85°C/-55°C - +125°C
占空比	Symmetry (Duty Cycle)	40/60 Standard
输出	Output Load	10 TTL or 15pF Hcoms
消耗电流	Current Consumption (15pf only) (5.0V)	1.000Mhz - 35.999Mhz=25mA max
		36.000Mhz - 69.999Mhz=60mA max
		70.000Mhz - 150.000Mhz=80mA max
	Current Consumption (15pf only) (1.8V 2.5V 2.85V 3.3V)	1.000Mhz - 35.999Mhz=20mA max
		36.000Mhz - 69.999Mhz=40mA max
		70.000Mhz - 150.000Mhz=60mA max
上升/下降时间	Rise/Fall Time	10nS max

## Mechanical Dimensions 外型尺寸



PIN	FUNCTION
1	N/C or Tri-state
2	Ground
3	Output
4	Vdd