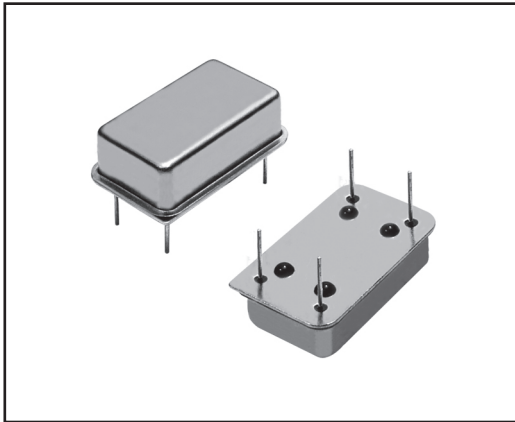


# FULL SIZE (14PIN) TCXO



## Part Number Guide

T (Type型号): TQ=FULL SIZE (14PIN) TCXO

V (Input Voltage输入电压): 3=3.3V 5=5.0V, etc

F (Frequency标称频率)

OT (Operating Temperature工作温度): 0070= 0°C to +70°C 3080= -30°C to +80°C, etc

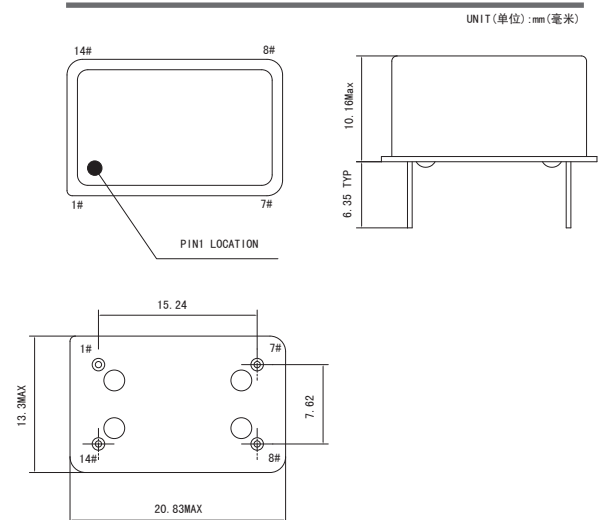
TU (Tube摆管)

S (Special Requirement特殊要求)

## Electrical Specifications 电气参数

型号	Holder Type	FULL SIZE (14PIN) TCXO										
频率范围	Frequency Range	2 to 30MHz										
25°C频率偏差	Initial Frequency Tolerance @25°C	±1.5 ppm										
频率稳定性	Frequency Stability Over Operating Temperature	±2.0 ppm										
老化率	Aging 10 years	±2.0 ppm										
输入电压	Input Voltage	5.0±5% V										
输入电流	Input Current	20mA Max										
占空比	Symmetry (Duty Cycle)	40 - 60 %										
上升时间	Rise Time	9Max ns										
下降时间	Fall Time	8Max ns										
高电平	Logic "1" Level	4.5Min V										
低电平	Logic "0" Level	0.5Max V										
开始时间	Output Type	20Max ms V										
振幅	Output Level	0.8pk - pk min V										
控制电压	Control Voltage	0.5 - 4.5 V										
相位噪声	Phase Noise(Typical)	<table border="1"> <tr> <td>10Hz</td> <td>100Hz</td> <td>1kHz</td> <td>10kHz</td> <td>100kHz</td> </tr> <tr> <td>-70</td> <td>-95</td> <td>-120</td> <td>-145</td> <td>-150</td> </tr> </table> dBc/Hz	10Hz	100Hz	1kHz	10kHz	100kHz	-70	-95	-120	-145	-150
10Hz	100Hz	1kHz	10kHz	100kHz								
-70	-95	-120	-145	-150								

## Mechanical Dimensions 外型尺寸



Pin Connection

PIN	FUNCTION
1	Control
7	GROUND
8	Output
14	Vdd