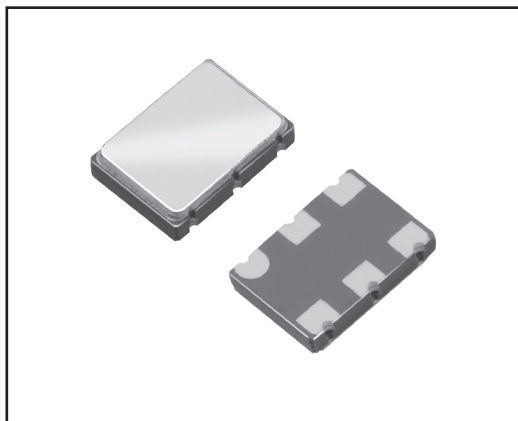


5x7 SMD VCXO



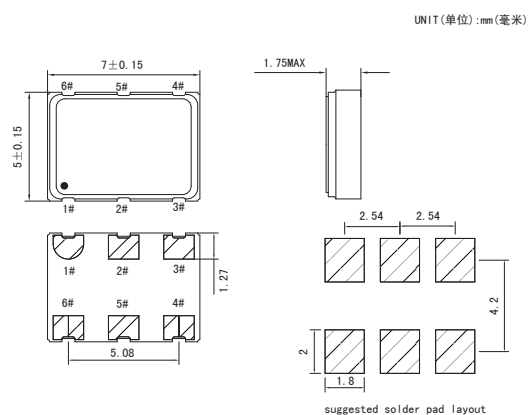
Part Number Guide

T (Type型号): V=5x7 SMD VCXO
 V (Input Voltage输入电压): 3=3.3V 5=5.0V, etc
 F (Frequency标称频率)
 FS (Frequency Stability频率稳定性): 50=±50ppm. etc
 OT (Operating Temperature工作温度): 0070=0°C to +70°C 3080=-30°C to +80°C. etc
 P (Pullability): 100=100ppm. etc
 TR (Tape and Reel编带)
 S (Special Requirement特殊要求)

Electrical Specifications 电气参数

型号	Holder Type	5x7mm SMD VCXO		
频率范围	Frequency Range	F	1.750 to 50.000	Mhz
总频差	Frequency Stability	$\Delta F/F$	±25ppm to ±50ppm	
输入电压	Input Voltage	Vdd	5.0 or 3.3 ± 10%	V
控制电压	Control Voltage	Vc	0 - 5.0 or 0 - 3.3	V
输入电流	Input Current	Idd	35 Max	mA
工作温度范围	Operating Temperature		-10°C - +60°C to -40°C - +85°C	°C
贮存温度范围	Storage Temperature		-40 - +85/-55 - +125	°C
上升/下降时间	Rise/Fall Time	Tr/Tf	6 Max	ns
占空比	Duty Cycle		40/60 Standard	
线性	Linearity		10%Max	
牵引量	Pullability		+/-100	ppm

Mechanical Dimensions 外型尺寸



Pin Connection

PIN	FUNCTION
1	Voltage control
2	Tristate
3	GND
4	Output
5	N/C
6	Vdd