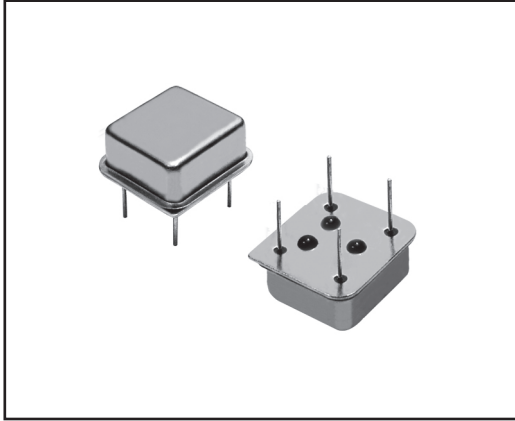


HALF SIZE (8PIN) VCXO**Part Number Guide**

T (Type型号): VP=HALF SIZE (8PIN) VCXO

V (Input Voltage输入电压): 3=3.3V 5=5.0V, etc

F (Frequency标称频率)

FS (Frequency Stability频率稳定性): 50=±50ppm. etc

OT (Operating Temperature工作温度): 0070=0°C to +70°C 3080=-30°C to +80°C. etc

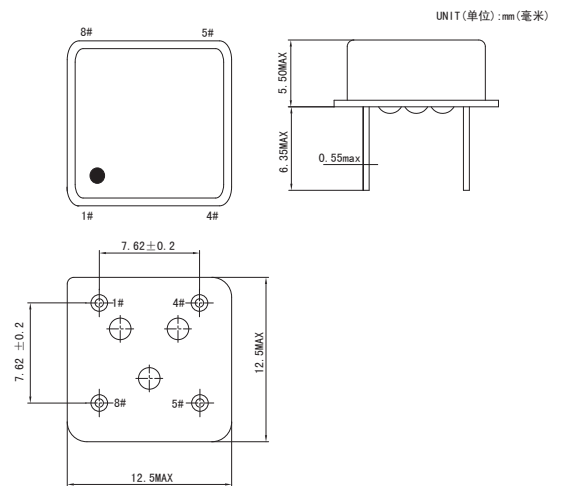
P (Pullability) 100=100ppm. etc

TU (Tube摆管)

S (Special Requirement特殊要求)

Electrical Specifications 电气参数

| 型号 | Holder Type | HALF SIZE (8PIN) VCXO | | |
|---------|-----------------------|-----------------------|--------------------------------|-----|
| 频率范围 | Frequency Range | F | 8.000 to 50.000 | Mhz |
| 总频差 | Frequency Stability | $\Delta F/F$ | ±25ppm to ±50ppm | |
| 输入电压 | Input Voltage | Vdd | 5.0 or 3.3 ± 10% | V |
| 控制电压 | Control Voltage | Vc | 0 - 5.0 or 0 - 3.3 | V |
| 输入电流 | Input Current | Idd | 35 Max | mA |
| 工作温度范围 | Operating Temperature | | -10°C - +60°C to -40°C - +85°C | °C |
| 贮存温度范围 | Storage Temperature | | -40 - +85/-55 - +125 | °C |
| 上升/下降时间 | Rise/Fall Time | Tr/Tf | 10 Max | ns |
| 占空比 | Duty Cycle | | 40/60 Standard | |
| 线性 | Linearity | | 10%Max | |
| 牵引量 | Pullability | | +/-100 | ppm |

Mechanical Dimensions 外型尺寸

Pin Connection

| PIN | FUNCTION |
|-----|-----------------|
| 1 | Voltage control |
| 4 | GROUND |
| 5 | Output |
| 8 | Vdd |